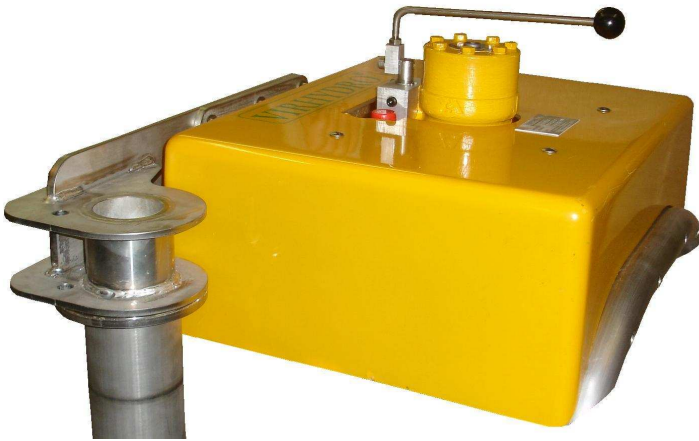


# TRACTOR KIT FOR NETS HAULER



The tractor kit 550 **AUTOMATES** the nets hauling when placed behind a nets hauler with drum or even simply behind the drum of the bulkhead.

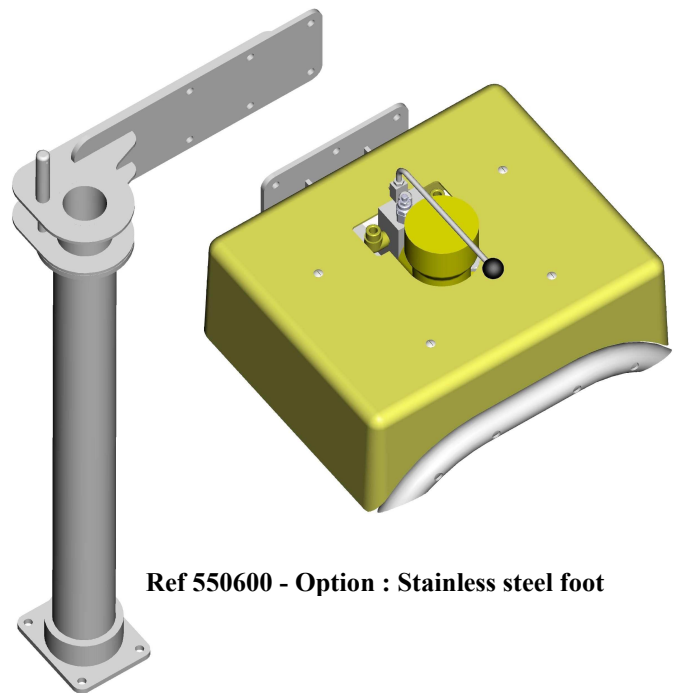
Its traction system is done through auto-centred band which ensures a strong grip whilst leaving a lot of flexibility (boltropes are not distorted or damaged). It can be also used to haul longlines and pots (Ø1mm to Ø12mm).

It has a hydraulic distributor and a pressure relief valve.



550000 – Tractor kit for nets

Optional, it can be fixed on a stainless steel rotating foot and it can be blocked in several positions.



Ref 550600 - Option : Stainless steel foot

REF	Pull (in kg)	Speed (m/min)	Flow (l/min)	Pressure (bars)		Power (in HP)	Weight (in kg)
				Service	Max		
<b>550</b>	<b>250</b>	<b>0 to 70</b>	<b>16</b>	<b>130</b>	<b>175</b>	<b>4.8</b>	<b>40</b>

\* We reserve the rights to modify all components (shapes, sizes, etc) and product descriptions listed in our product sheets without prior notice.