



HYDRAULIC AUTOMATIC NETS HAULER

This hydraulic automatic nets hauler retrieves nets without efforts.

It is made of a plain rubberised drum, Ø 350 mm, which is reversible and a traction system of auto-centred band. This system provides a strong grip whilst leaving a lot of flexibility.

This hauler has a hydraulic distributor with pressure relief valve. It can be placed on the bulkhead or on the deck (using a foot).

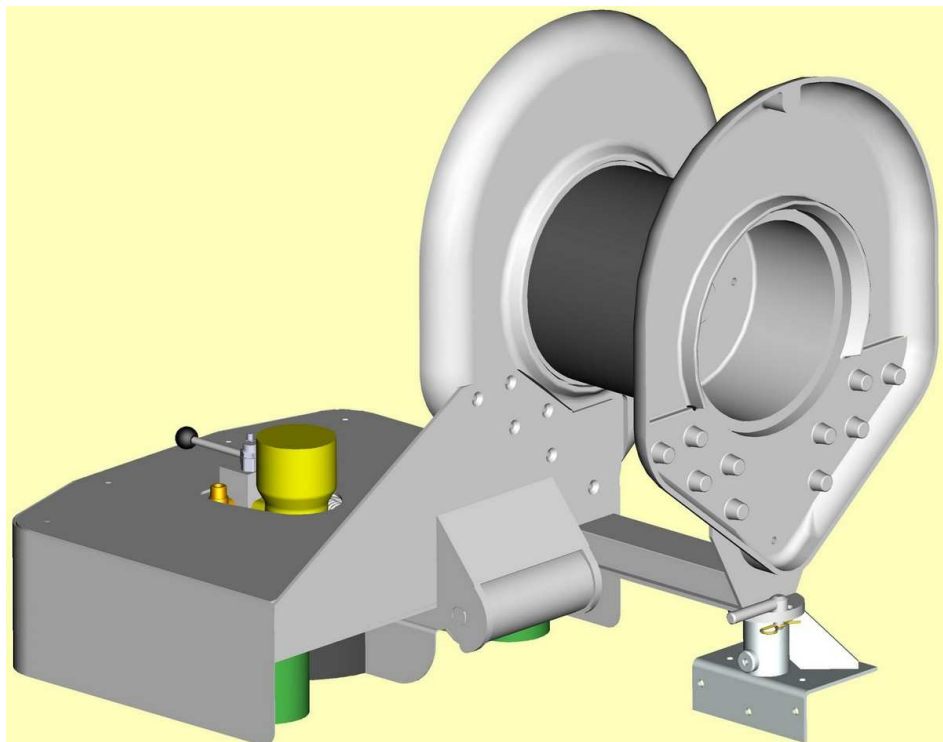


Photo non binding

Exists in PORT or STARBOARD model

REF	Pull kg	Speed m/min	Oil flow l/min	Pressure (bars)		Power HP	Size cm	Weight kg
				Service	Max			
561	300	0 to 70	20	104	140	4.8		76

* We reserve the rights to modify all components (shapes, sizes, etc) and product descriptions listed in our product sheets without prior notice.

VIRHYDRO – inshore fishing specialist

44, rue de la Ville-ès-Cours – Z.I. Sud – B.P. 31 – 35405 SAINT MALO CEDEX - FRANCE

Tél. +33 (0)2 99 82 54 02 - Fax +33 (0)2 99 82 52 61

Site : www.virhydro.com/ E-Mail : info@fishing-machine.com